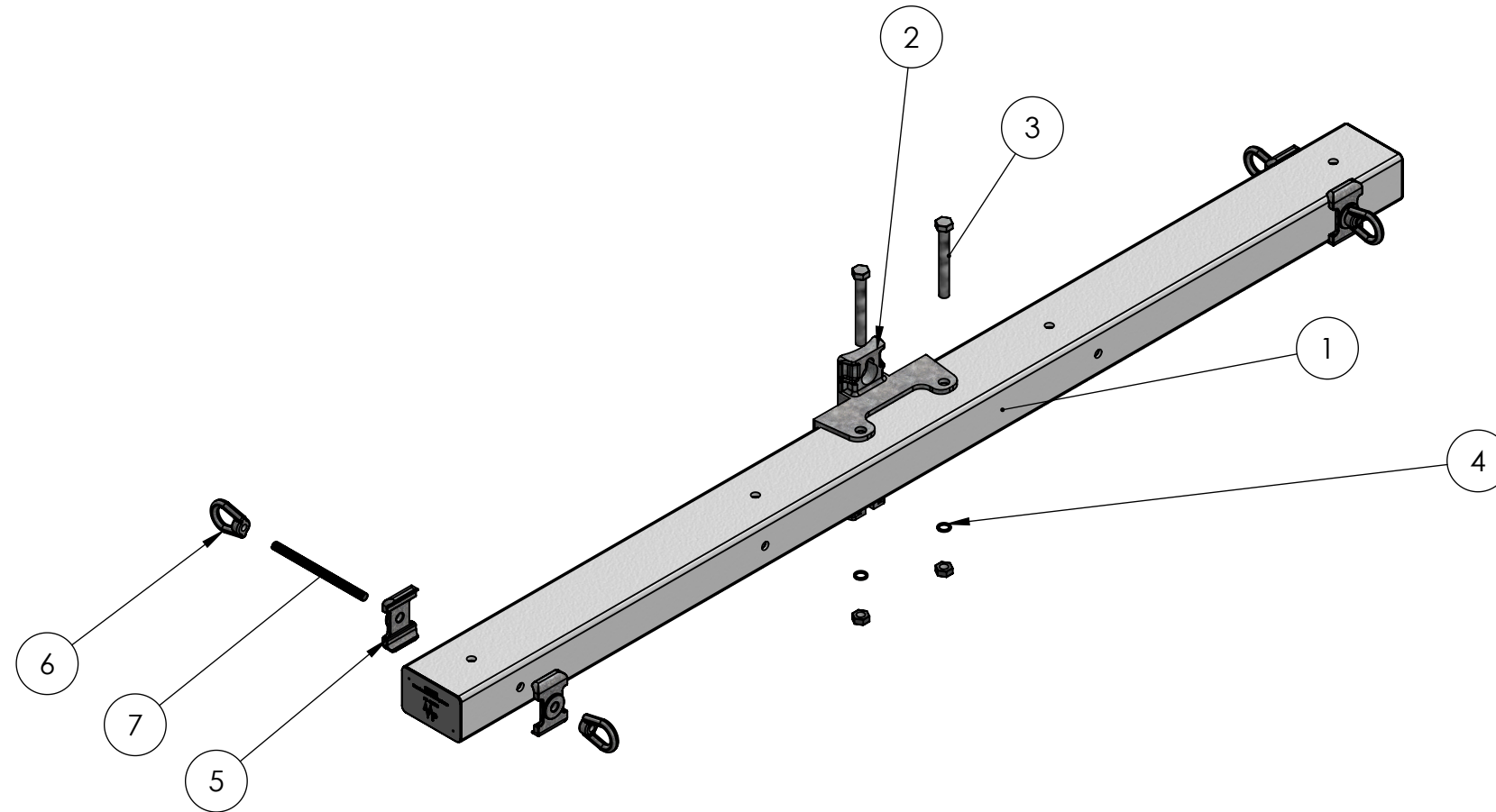



ITEM NO.	PART NUMBER	DESCRIPTION	QTY.
1	P90008Y	PY FOAMED TUBE	1
2	P69198A	HEAVY DUTY DEADEND BASE - GALV. CAST IRON	1
3	F614574	3/4" x 6" BOLT / NUT ASSEMBLY	2
4	F338983	3/4" LOCKWASHER	2
5	F411241	5/8" PENTECH WASHER	4
6	F392614	5/8" OVAL EYE NUT	4
7	P67577	5/8 - 11 x 9 1/4" STUD	2

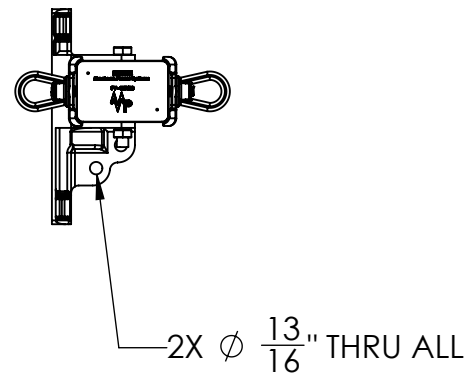
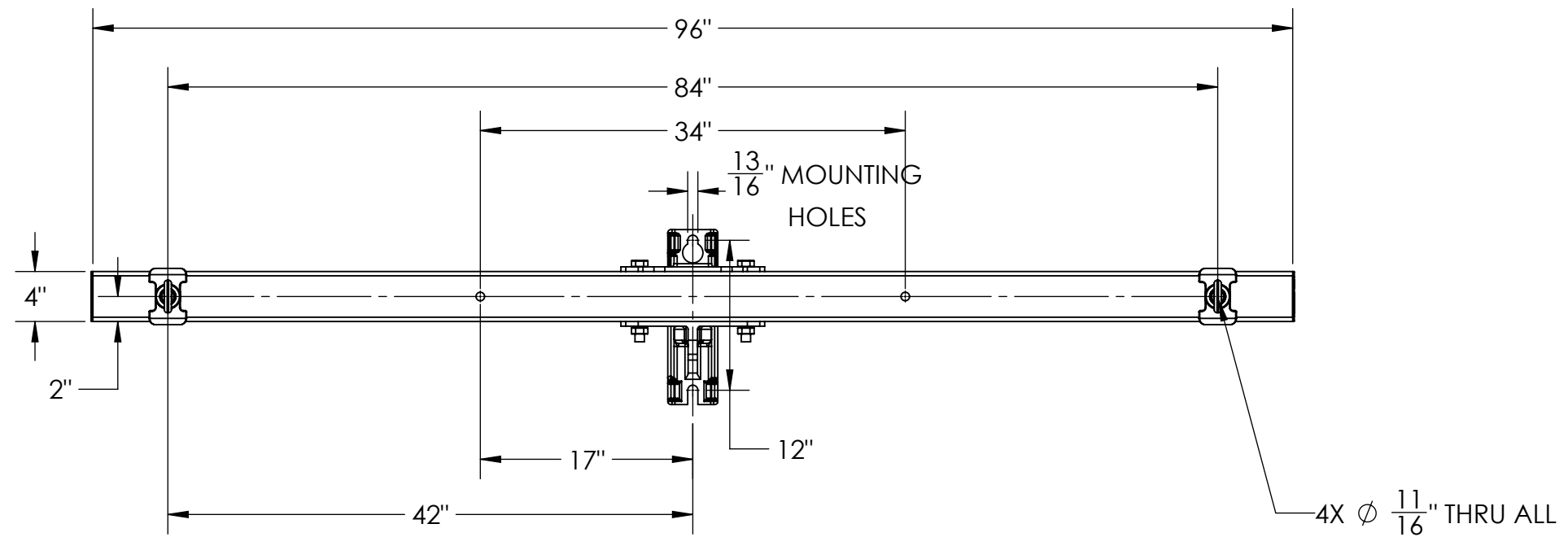
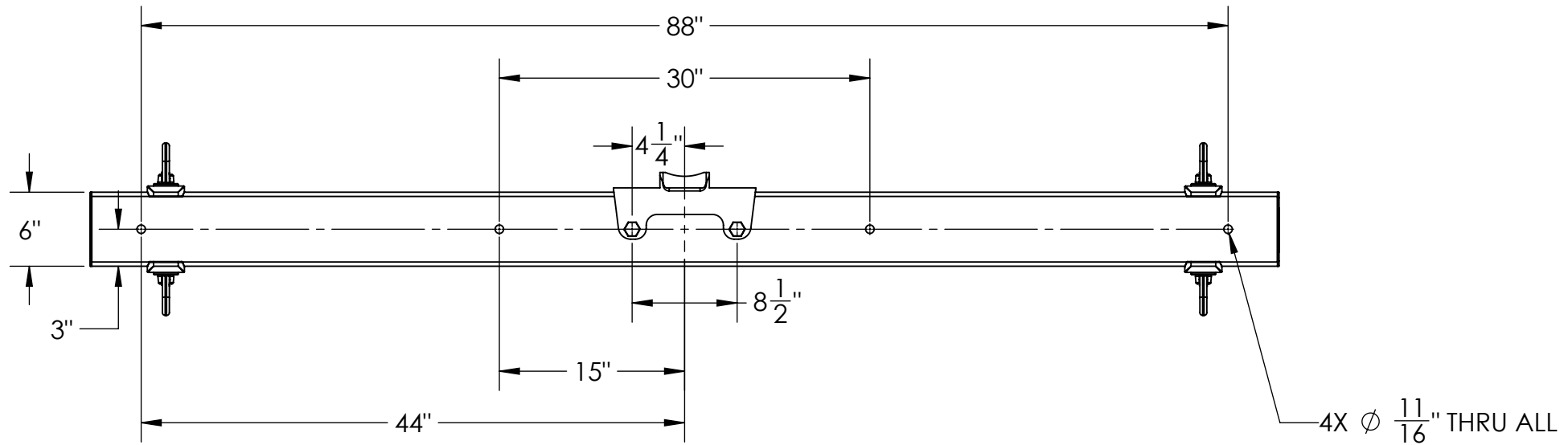
PAPER SIZE		DRAWING NUMBER	
<b>B</b>		<b>3006-017</b>	
REVISIONS			
REV.	ECO BY	ECO DATE	ECO NUMBER
A	TJK	10/11/13	00558



CATALOG NUMBER: <b>PY08SD003-2E-SM</b>	CUSTOMER NUMBER: <b>N/A</b>	PART NUMBER: <b>F490002</b>	DRAWING NUMBER: <b>3006-017</b>	DO NOT SCALE DRAWING
<b>PHYSICAL PROPERTIES</b> UNLESS OTHERWISE SPECIFIED DIMENSIONS ARE IN: <b>INCHES</b>			SHEET: <b>1 OF 2</b>	CAD GENERATED DRAWING DO NOT MANUALLY UPDATE
			DRAWING DESCRIPTION: <b>PY DEADEND CROSSARM</b>	DESIGN DATE: <b>5/1/09</b>
MATERIAL: <b>FIBERGLASS</b>	TOLERANCES ARE:	 <b>MACLEAN POWER SYSTEMS</b> 7801 PARK PLACE RD. YORK, SC. 29745 TEL. (803) 628-2100 FAX: (803) 628-2139	PRODUCT LINE: <b>CROSSARMS</b>	DRAWN BY: <b>TJK</b>
APPROX. WEIGHT : <b>72 LBS</b>	.XX +/- .03		ENGINEER: <b>mkadel</b>	
VOLUME: <b>IN3</b>	.XXX +/- .015		APPROVED: <b>10/14/13</b>	
	X/XX +/- 1/32		SCALE: <b>1:12.5</b>	
	ANGLES +/- 1°			

THIS DRAWING CONTAINS CONFIDENTIAL INFORMATION THAT IS THE PROPERTY OF MACLEAN POWER, L.L.C. ("MACLEAN"). USE OF MACLEAN'S CONFIDENTIAL INFORMATION WITHOUT MACLEAN'S EXPRESS WRITTEN CONSENT IS STRICTLY PROHIBITED AND MAY EXPOSE YOU TO LEGAL LIABILITY. IF YOU BELIEVE THAT YOU RECEIVED THIS MATERIAL IN ERROR, PLEASE DESTROY IT OR RETURN IT TO "MACLEAN POWER, L.L.C., 7801 PARK PLACE RD., YORK, SOUTH CAROLINA 29745, USA."

PAPER SIZE	DRAWING NUMBER
<b>B</b>	<b>3006-017</b>



CATALOG NUMBER: <b>PY08SD003-2E-SM</b>		CUSTOMER NUMBER: <b>N/A</b>		PART NUMBER: <b>F490002</b>		DRAWING NUMBER: <b>3006-017</b>		DO NOT SCALE DRAWING	
<b>PHYSICAL PROPERTIES</b> UNLESS OTHERWISE SPECIFIED DIMENSIONS ARE IN: <b>INCHES</b>				TOLERANCES ARE: .XX +/- .03 .XXX +/- .015 X/XX +/- 1/32 ANGLES +/- 1°		SHEET: 2 OF 2		CAD GENERATED DRAWING DO NOT MANUALLY UPDATE	
						DRAWING DESCRIPTION: <b>PY DEADEND CROSSARM</b>		DESIGN DATE: 5/1/09	
MATERIAL: FIBERGLASS		APPROX. WEIGHT : 72 LBS		VOLUME: IN3		PRODUCT LINE: <b>CROSSARMS</b>		DRAWN BY: TJK	
								ENGINEER: mkadel	
								APPROVED: 10/14/13	
								SCALE: 1:12.5	

THIS DRAWING CONTAINS CONFIDENTIAL INFORMATION THAT IS THE PROPERTY OF MACLEAN POWER, L.L.C. ("MACLEAN"). USE OF MACLEAN'S CONFIDENTIAL INFORMATION WITHOUT MACLEAN'S EXPRESS WRITTEN CONSENT IS STRICTLY PROHIBITED AND MAY EXPOSE YOU TO LEGAL LIABILITY. IF YOU BELIEVE THAT YOU RECEIVED THIS MATERIAL IN ERROR, PLEASE DESTROY IT OR RETURN IT TO "MACLEAN POWER, L.L.C., 7801 PARK PLACE RD., YORK, SOUTH CAROLINA 29745, USA."